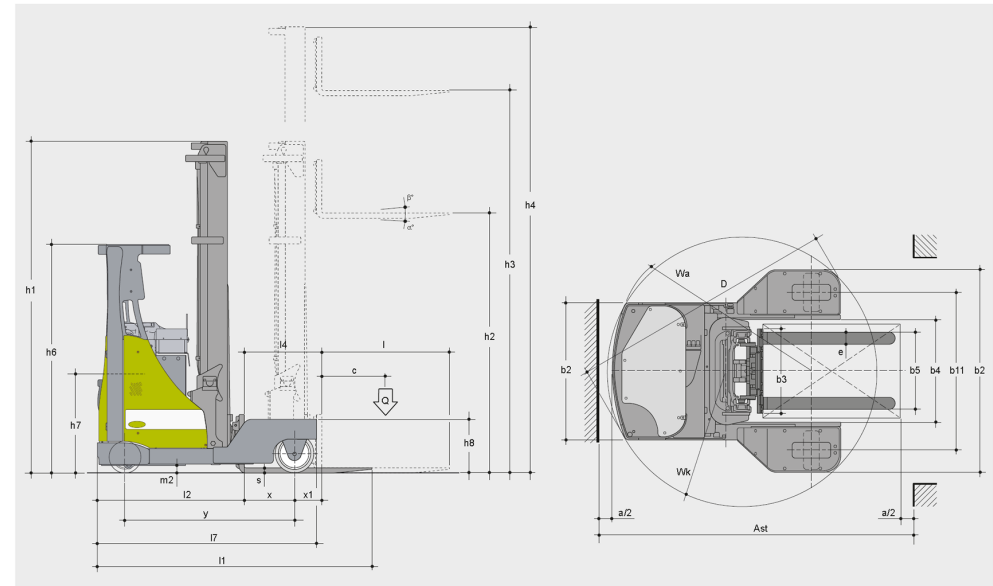


Characteristics		1.1 Manufacturer		Clark	
		1.2 Model		CRT25 4-D ac	
		1.3 Drive		electric	
		1.4 Operator type		seat	
		1.5 Load capacity / rated load	Q t	2.5	
		1.6 Load centre distance	c mm	600	
		1.8 Load distance (centre of load axle to fork face)	x mm	454	
		Mast pushed forward	x1 mm	245	
		1.9 Wheelbase	y mm	1.600	
Weights		2.1 Service weight incl. battery (see line 6.5)		4.250	
		2.3 Axle loading, mast retracted unladen front/rear		kg 2.600 / 1.640	
		2.4 Axle loading, mast advanced, laden front/rear		kg 668 / 6.160	
		2.5 Axle loading, mast retracted, laden front/rear		kg 2.300 / 4.440	
Wheels Chassis		3.1 Tires		Polyurethane	
		3.2 Tire size, front	mm	343 (350)	
		3.3 Tire size, rear	mm	350	
		3.5 Wheels, number front / rear (x = driven wheels)	n°	1x / 2	
		3.6 Track width, front	b10 mm	/	
		3.7 Track width, rear	b11 mm	1.450	
Basic dimensions		4.1 Fork carriage tilt forward / backward	α/β °	3 / 5	
		4.2 Mast lowered height	h1 mm	2.275	
		4.3 Free lift	h2 mm	1.750	
		4.4 Lift height	h3 mm	5.250	
		4.5 Mast extended height	h4 mm	5.775	
		4.7 Overhead load guard (cab) height	h6 mm	2.155	
		4.8 Seat height	h7 mm	1.140	
		4.10 Height of wheel arms	h8 mm	495	
		4.19 Overall length	l1 mm	2.551	
		4.20 Length to face of forks	l2 mm	1.401	
		4.21 Overall width	b1/b2 mm	1.270 / 1.870	
		4.22 Forks dimensions	s/e/l mm	45 x 120 x 1.150	
		4.23 Fork carriage ISO 2328, class / type A, B		2/A	
		4.24 Fork carriage width	b3 mm	720	
		4.25 Width over forks	b5 mm	700	
		4.26 Distance between support arms	b4 mm	948	
		4.28 Reach distance	l4 mm	699	
		4.31 Ground clearance under mast, laden	m1 mm	70	
		4.32 Ground clearance, centre of wheelbase	m2 mm	73	
		4.33 Aisle width for pallets 1000 x 1200 crossways	Ast mm	2.953	
		4.34 Aisle width for pallets 800 x 1200 lengthways	Ast mm	2.901	
		Truck diagonal	D mm	2.445	
		4.35 Turning radius	Wa mm	1.855	
		4.37 Length across wheel arms	l7 mm	2.055	
Performances		5.1 Travel speed laden / unladen	km/h	11.5 / 12.5	
		5.2 Lifting speed laden / unladen	m/s	0.35 / 0.50	
		5.3 Lowering speed laden / unladen	m/s	0.50 / 0.45	
		5.4 Reach speed, laden / unladen	m/s	0.10 / 0.10	
		5.7 Max gradient performance	%	10 / 15	
		5.9 Acceleration time, laden / unladen	s	6.5 / 7	
		5.10 Service brake		hydraulic	
		5.11 Parking brake		electromagnetical	
Electric Motor		6.1 Traction motor, rating S2 60 min	kW	6.5	
		6.2 Lift motor, rating S3 15%	kW	15	
		6.3 Battery according to DIN 43531 / 35 / 36 A, B, C, no		no	
		6.4 Battery voltage, nominal capacity K5	V/Ah	48 / 620 (*775)	
		6.5 Battery weight	kg	960	
		6.6 Energy consumption according to VDI cycle	kW/h		
Others		8.1 Type of drive control		inverter ac	
		8.2 Operating pressure for attachments	bar	180	
		8.3 Oil volume for attachments	l/min	25	
		8.4 Sound level at driver's ear according to EN 12 053	dB(A)	<80	

* option

All values shown are for standard lift truck with standard equipment. If the truck is supplied with options, values may change. All values given may vary +5% and -10% due to the motor and system tolerances and represent nominal values obtained under typical operating conditions.

Denomination	Standard masts						Capacity
	Mast lowered height	Lift height	Total Lift height	Mast extended height	Free lift	Fork carriage tilt forward/backward α/β (°)	with side-shift (t) c=600 mm
Triplex-FFL	mm	h1	h3	h3+s	h4	h2	CRT25 4-D ac
	mm	2.125	4.800	4.850	5.325	1.600	2.5
	mm	2.275	5.250	5.300	5.775	1.750	2.5
	mm	2.575	6.050	6.100	6.575	2.050	2.2
	mm	2.875	6.950	7.000	7.475	2.350	2.0
	mm	3.075	7.500	7.550	8.025	2.550	1.9
	mm	3.375	8.250	8.300	8.775	2.850	1.6
	mm	3.675	9.050	9.100	9.575	3.150	1.4
mm	3.875	9.450	9.500	9.975	3.350	1.3	
mm	4.275	10.450	10.500	10.975	3.750	3/5	1.0



Accessories and special executions		
multifunctions monojoystick	all weather metal cab	
flashing beacon with reverse buzzer	metal cab for cold store execution	
tilting on forks holder plate "tilting forks"	cold store execution	
integrated side-shift	heating system for cold store cab	
battery side extraction	24V heated seat	
single battery stand with wheels	adjustable spot lamps	
digital lifting height indicator and pre-selector for 10 levels	load protection guard	
automatic side-shift centralising	safety belt	
automatic horizontal positioning of forks	pin access keypad	
camera on the forks with color monitor inside the cab	additional hydraulic function	
camera on the forks holder plate with color monitor inside the cab	wide opening fork positioner (560 > 2.250 mm)	
standard	option	

www.clarkmheu.com

CLARK
THE FORKLIFT